

Differential Pressure Gauges Airbox with Differential Pressure Switch Model A2G-90, air2guide A



WIKA Data Sheet PV 27.40

Applications

- For monitoring the differential pressure of air and other non-inflammable and non-aggressive gases
- Monitoring of air filters, fans, industrial cooling circuits, flows in ventilation ducts and the control of air and fire dampers

Special Features

- Compact indicator and pressure switch fitted within a plastic case (Airbox)
- Single pole micro switch (change-over contact)
- Switch point settable when installed
- All connections already pre-assembled



Airbox with Differential Pressure Gauge and Differential Pressure Switch, Model A2G-90, air2guide A

Description

The air2guideA Airbox is a combination of a mechanical analogue indicator and a differential pressure switch, which have been fitted within a plastic case. The case is made from PC/ABS 1625 plastic (H x W x D = 240 x 191 x 110 mm) and with all connections built in. The cover is screwed on. The ingress protection is IP 54.

The air2guide A Airbox is ideally suited to the measurement and switching of overpressures and differential pressures in the measuring ranges from 0 ... 250 Pa to 0 ... 6000 Pa.



Airbox opened

Standard version

Case

Plastic PC/ABS 1625

Dimensions

H x W x D = 240 x 191 x 110 mm

Cover

Screwed

Operating temperature

Ambient: -30 ... +60 °C

Medium: -16 ... +50 °C

Ingress protection

IP 54 per EN 60529 / IEC 529

Process connection

Aluminium, top mount,

Bulkhead quick connector for hose, 4 or 6 mm inner diameter

Electrical connection

L-connector DIN 43 650, 3-pin + PE

Weight

1230 g

Analogue indicator air2guide P

Data sheet PM 07.40

Design

Per EN 837-3 and ventilation and air conditioning (VAC) regulations

Nominal size in mm

110

Accuracy class

±3.0

Scale ranges

0 ... 250 Pa

0 ... 500 Pa

0 ... 750 Pa

0 ... 1500 Pa

0 ... 2000 Pa

0 ... 6000 Pa

Overpressure safety

20 kPa

Max. working pressure (static pressure)

20 kPa

Temperature effect

When the temperature of the measuring system deviates from the reference temperature (+20 °C):

max. ±0.4 %/10 K of full scale value

Differential pressure switch air2guide S

Data sheet SP 69.02

Design

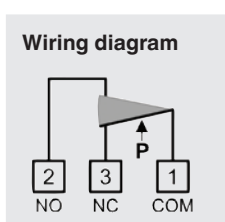
In accordance with the European low-voltage directive 73/23/EEC

Measuring ranges and accuracy of the switch point

Measuring range	Lowest limit	Highest limit
20 ... 200 Pa	±5 Pa	±20 Pa
30 ... 300 Pa	±5 Pa	±30 Pa
30 ... 500 Pa	±5 Pa	±30 Pa
40 ... 600 Pa	±5 Pa	±30 Pa
100 ... 1500 Pa	±10 Pa	±50 Pa
500 ... 4500 Pa	±50 Pa	±200 Pa

Micro switch

Change-over contact, silver contacts



1-3 opens / 1-2 closes on reaching the differential pressure

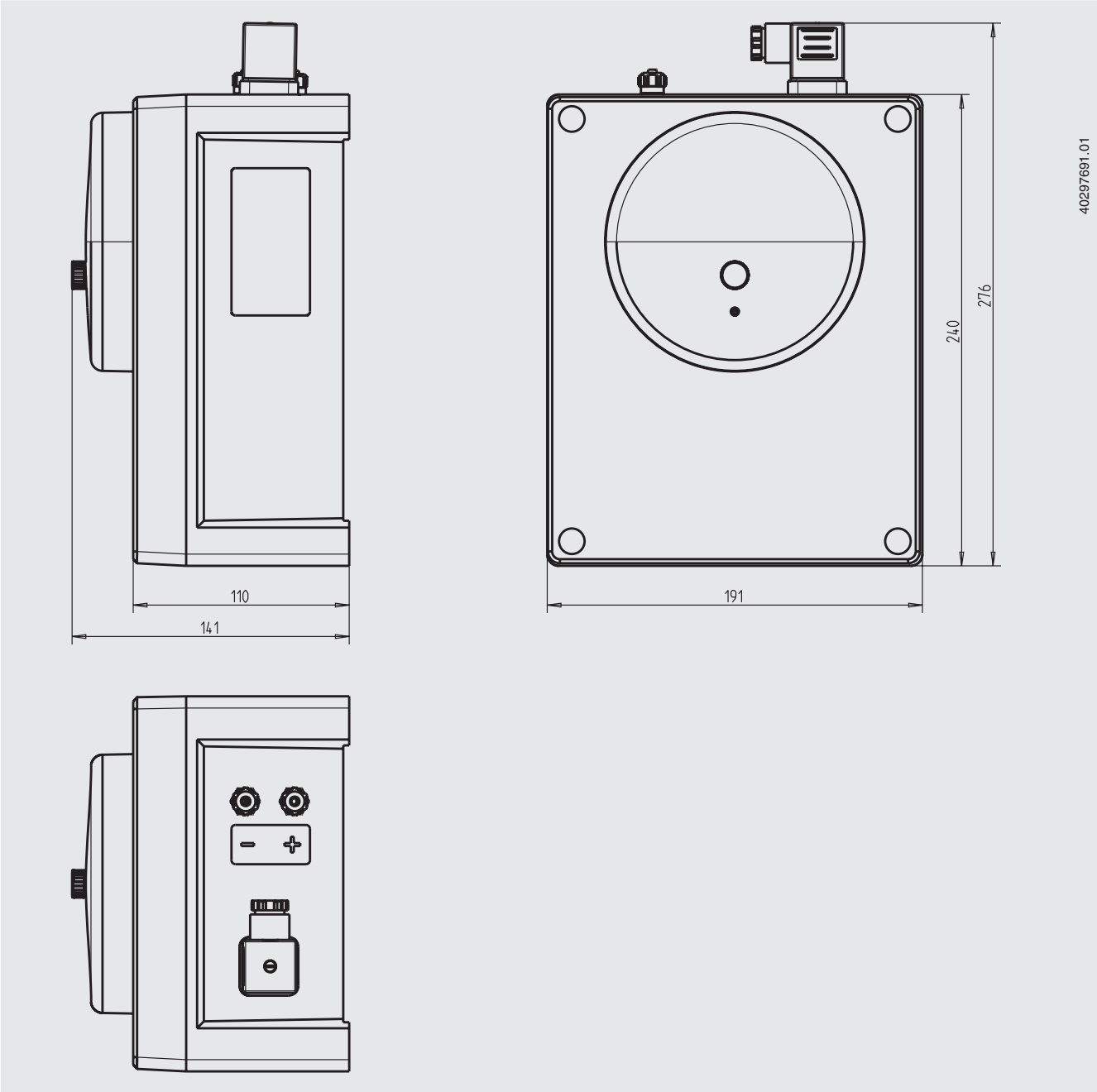
Contact rating

Measuring ranges	Contact rating		Contact material
	With resistive load	With inductive load	
20 ... 200 Pa	0.1 A / AC 250 V	-	Gold
30 ... 300 Pa	3 A / AC 250 V	2 A / AC 250 V	Silver
30 ... 500 Pa	3 A / AC 250 V	2 A / AC 250 V	Silver
40 ... 600 Pa	3 A / AC 250 V	2 A / AC 250 V	Silver
100 ... 1500 Pa	3 A / AC 250 V	2 A / AC 250 V	Silver
500 ... 4500 Pa	5 A / AC 250 V	2 A / AC 250 V	Silver

Options

- Window in the case cover for pressure switch with pressure switch display

Dimensions of the Airbox in mm



40297691.01

Ordering information

Model / Scale range of the differential pressure gauge / Pressure switch / Hose connection inner diameter 4 or 6 mm / Options

The specifications given in this document represent the state of engineering at the time of publishing.
We reserve the right to make modifications to the specifications and materials.



WIKA Alexander Wiegand SE & Co. KG
Alexander-Wiegand-Straße 30
63911 Klingenberg/Germany
Tel. (+49) 9372/132-0
Fax (+49) 9372/132-406
E-mail info@wika.de
www.wika.de